



1808 LED FIXTURE

- Low profile high impact Lexan globe with anti-glare technology.
- Preferred fixture for replacing inefficient lighting.
- Designed to reduce electrical usage by 85%.
- Minimal heat generation will lower utility cost.
- Rated for 50,000+ hours life.
- 4000K ± 250 color temperature.
- Designed for damp/wet/cooler/freezer environments.
- 5 year limited warranty.

SPECIFICATIONS

MATERIAL:
Lexan lens. Aluminum housing.

MOUNTING:
Surface mount.

ELECTRICAL:
1100 total lumens
90-305 VAC, 50/60 Hz.
76 lumens/watt
.12 Amps
14.4 W
0.9 power factor
CRI 85

SAFETY STANDARDS:
RoHS
UL Listed US and Canada,
File No. E333932
NSF Listed
FCC Pending
Energy Star Pending
Patent Applied

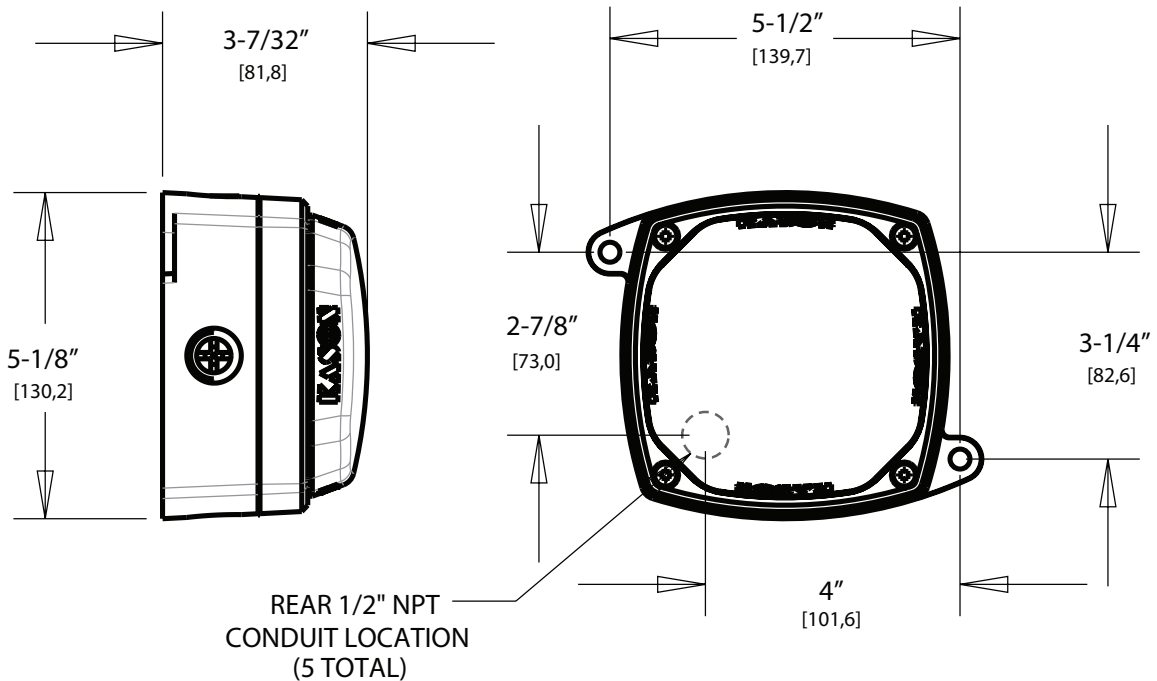
TEMPERATURE RATINGS:
Operating temperature: -40°F
[-40°C] to 104°F [40°C].

Model No.	Description
11808000000	14.4 Watt, VP, 120-277 V, LED Fixture

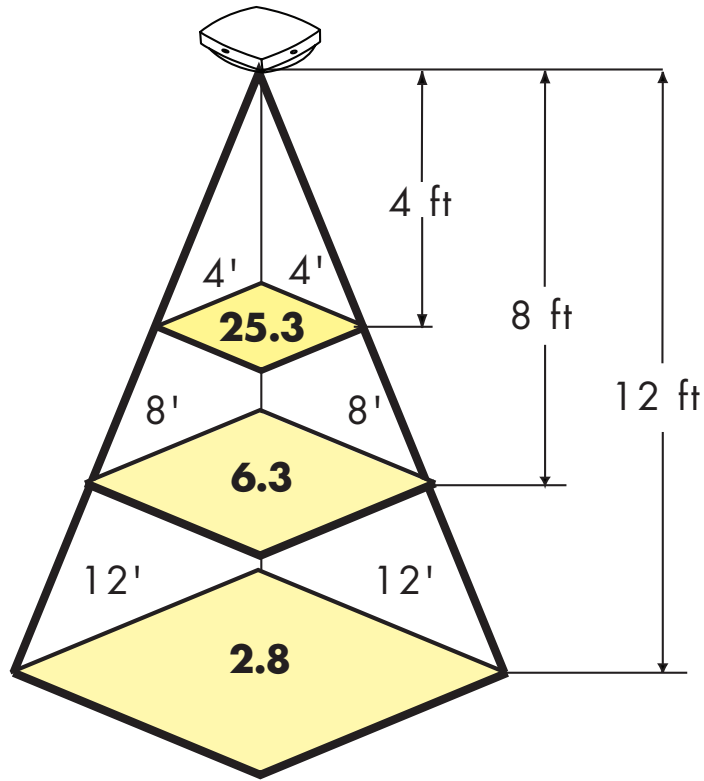
ITEM # 1808 LED FIXTURE



GreenGuard
BY KASON INDUSTRIES



1808 LED LIGHT DISTRIBUTION



LIGHT DISTRIBUTION FOR 1808 LED

Height in Feet	Average FC for Single Fixture Over Indicated Area	
	8' x 8'	12' x 12'
5	8.6	4.7
8	6.3	3.7
9	-	3.4
12	-	2.8