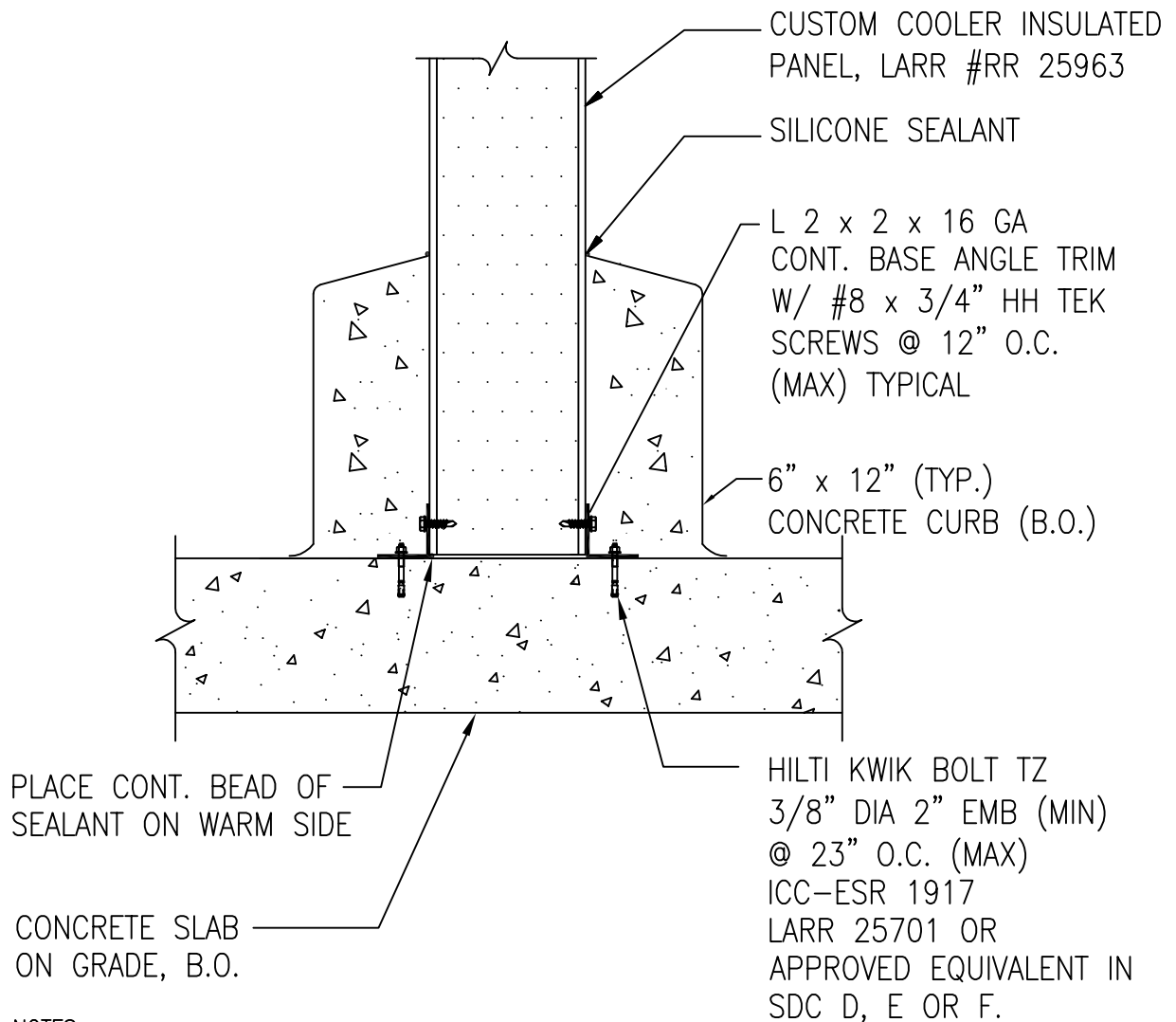


CUSTOM COOLER, INC



NOTES:
FOR ALL MECHANICALLY FASTENED ANCHORS,
SPECIAL INSPECTION MAY BE REQUIRED,
VERIFY WITH LOCAL BUILDING OFFICIAL.

CUSTOM COOLER CLP 600 SERIES
WALL BASE W/ 2 CURBS