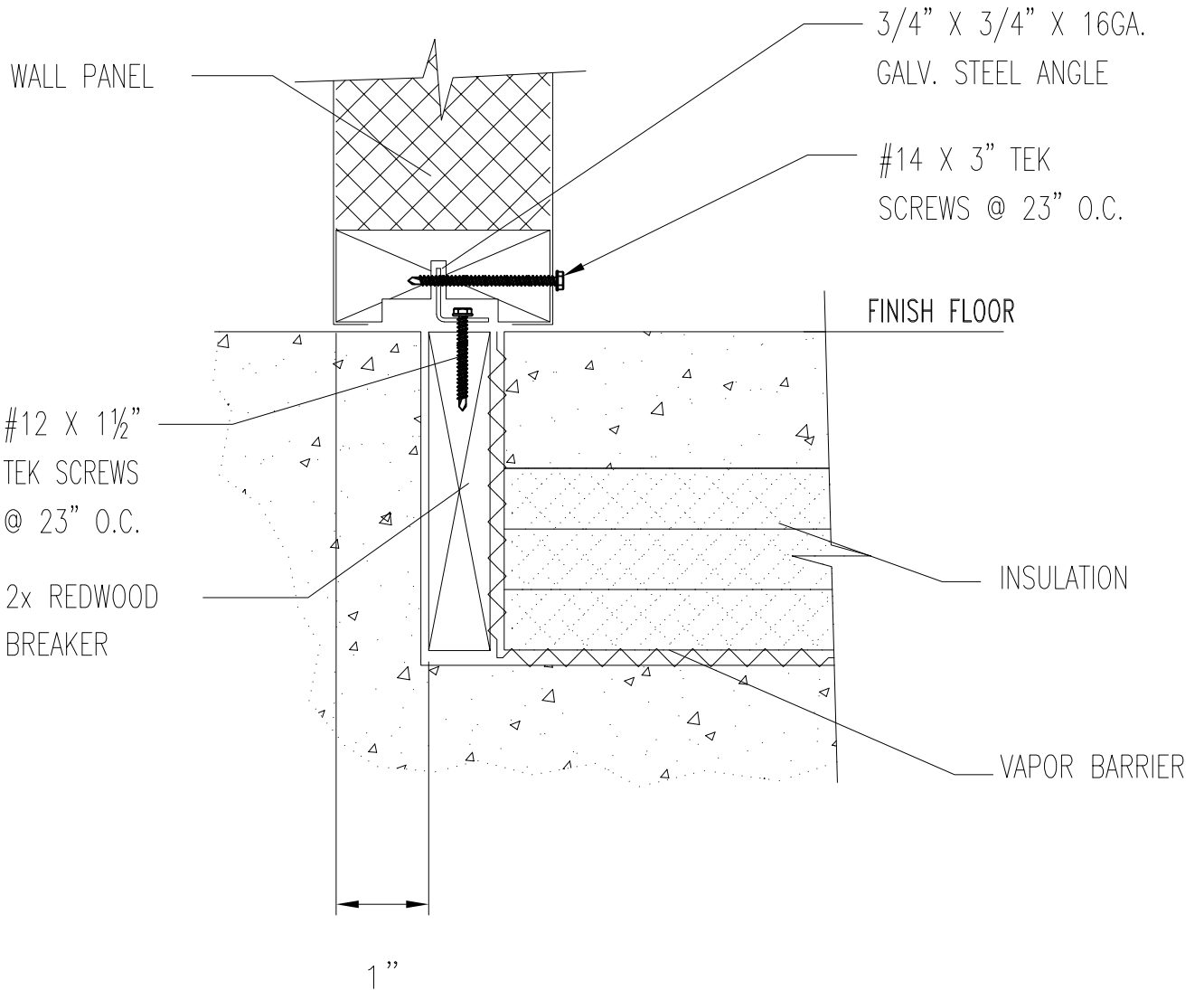


CUSTOM COOLER, INC

EXTERIOR

INTERIOR



WALL TO INSULATED FLOOR